

EURO-WALL, LLC

EURO C5 OUT FOLDING DOOR SYSTEM (NON-HVHZ) (NON-IMPACT)

euro-wall
SUPERIOR BY DESIGN

EURO-WALL, LLC
P.O. BOX 8007
NORTH PORT, FL 34290
PH: 888-989-3876

GENERAL NOTES:

- THE PRODUCT SHOWN HEREIN IS DESIGNED AND MANUFACTURED TO COMPLY WITH THE CURRENT FLORIDA BUILDING CODE (FBC), **EXCLUDING** HVHZ AND HAS BEEN EVALUATED ACCORDING TO THE FOLLOWING:
 - ASTM E283-04(12)
 - ASTM E330-14
 - ASTM E547-00
 - AAMA 1304-02
- ADEQUACY OF THE EXISTING STRUCTURAL CONCRETE/MASONRY, 2X AND METAL STUD FRAMING AS A MAIN WIND FORCE RESISTING SYSTEM CAPABLE OF WITHSTANDING AND TRANSFERRING APPLIED PRODUCT LOADS TO THE FOUNDATION IS THE RESPONSIBILITY OF THE ENGINEER OR ARCHITECT OF RECORD FOR THE PROJECT OF INSTALLATION.
- 1X AND 2X BUCKS (WHEN USED) SHALL BE DESIGNED AND ANCHORED TO PROPERLY TRANSFER ALL LOADS TO THE STRUCTURE. BUCK DESIGN AND INSTALLATION IS THE RESPONSIBILITY OF THE ENGINEER OR ARCHITECT OF RECORD FOR THE PROJECT OF INSTALLATION.
- THE INSTALLATION DETAILS DESCRIBED HEREIN ARE GENERIC AND MAY NOT REFLECT ACTUAL CONDITIONS FOR A SPECIFIC SITE. IF SITE CONDITIONS CAUSE INSTALLATION TO DEVIATE FROM THE REQUIREMENTS DETAILED HEREIN, A LICENSED ENGINEER OR ARCHITECT SHALL PREPARE SITE SPECIFIC DOCUMENTS FOR USE WITH THIS DOCUMENT.
- APPROVED IMPACT PROTECTIVE SYSTEM IS **REQUIRED** TO PROTECT THIS PRODUCT IN AREAS REQUIRING IMPACT RESISTANCE.
- DOOR FRAME MATERIAL: *EXTRUDED ALUMINUM (6063-T5)*.
- GLASS MEETS THE REQUIREMENTS OF ASTM E1300 GLASS CHARTS. SEE SHEET 1 FOR GLAZING DETAILS.
- DOORS SHALL USE SERIES EURO-C5 CARRIES, HINGES, PIVOTS, TWIN POINTS AND LEVER LOCKSET AND SERIES EURO-DSD MULTI-POINT DOOR LOCKS PER MANUFACTURERS REQUIREMENTS FOR EACH CONFIGURATION.

NOTE: WHEN INSTALLED AT A LOCATION PROTECTED BY AN OVERHANG SUCH THAT:
OVERHANG (OH) RATIO = OH LENGTH ÷ OH HEIGHT IS ≥ 1.0 ,
WATER INFILTRATION REQUIREMENT DOES NOT NEED TO BE MET

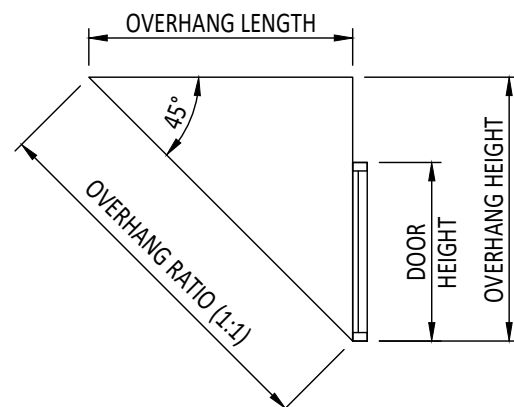
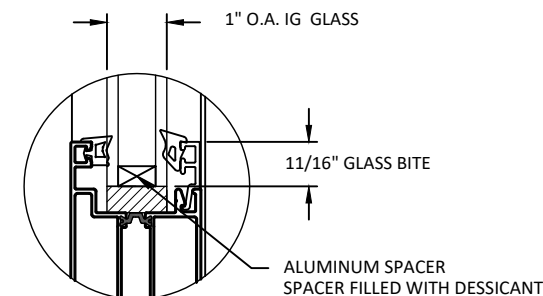


TABLE OF CONTENTS	
SHEET	SHEET DESCRIPTION
1	GENERAL NOTES & GLAZING DETAILS
2	ELEVATIONS
3	ANCHOR LAYOUT
4	VERTICAL SECTIONS
5	HORIZONTAL SECTIONS
6	INSTALLATION NOTES, ANCHOR DETAILS & SCHEDULE

DESIGN PRESSURE RATING			
O.A SIZE	CONFIGURATION	DESIGN PRESSURE	MISSILE IMPACT RATING
256" X 120"	3L3R	+50.0 / -50.0 PSF	NON-IMPACT
SEE SHEET 2 FOR ADDITIONAL CONFIGURATION INFORMATION			
SEE SHEET 4 FOR WATER RATING INFORMATION			



GLAZING DETAIL 1

- NOTE:
- ALL GLAZING CONFIGURATIONS SHALL COMPLY WITH SAFETY GLAZING REQUIREMENTS OUTLINED IN CURRENT FBC AND ASTM E 1300 GLASS CHART REQUIREMENTS.
 - SETTING BLOCK SHOULD BE 70-90 DUROMETER AS PER CH 24 OF THE CURRENT FBC.
 - GLASS LITES THAT EXCEED 36" IN WIDTH SHALL USE SETTING BLOCKS AT $\frac{1}{4}$ SPAN FROM CORNERS.

TITLE:
EURO C5 OUT FOLDING DOOR SYSTEM
(NON-HVHZ) (NON-IMPACT)

GENERAL AND GLAZING DETAILS

PREPARED BY:
BUILDING DROPS, INC.

398 E. DANIA BEACH BLVD., STE. 338
DANIA BEACH, FL 33004
PH: (954) 399-8478
FAX: (954) 474-4738
WEB: www.buildingdrops.com



REMARKS	BY	DATE
2023 CODE CHANGE	MG	02/23
COMPANY NAME UPD.	SH	09/23

THE INSTALLATION DETAILS DESCRIBED HEREIN ARE GENERIC AND MAY NOT REFLECT ACTUAL CONDITIONS FOR A SPECIFIC SITE. IF SITE CONDITIONS CAUSE INSTALLATION TO DEVIATE FROM THE REQUIREMENTS DETAILED HEREIN, A LICENSED ENGINEER OR ARCHITECT SHALL PREPARE SITE SPECIFIC DOCUMENTS FOR USE WITH THIS DOCUMENT.



FL #:

FL27023

DATE: 04.06.18

DWG. BY: HR

CHK. BY: HFN

SCALE: NTS

DWG. #: EWS008

SHEET:

1

OF 6

TITLE:
EURO C5 OUT FOLDING DOOR SYSTEM
(NON-HVHZ) (NON-IMPACT)

ANCHOR LAYOUTS

PREPARED BY:
BUILDING DROPS, INC.

398 E. DANIA BEACH BLVD., STE. 338
DANIA BEACH, FL 33004
PH: (954)399-8478
FAX: (954)744-4738
WEB: www.buildingdrops.com



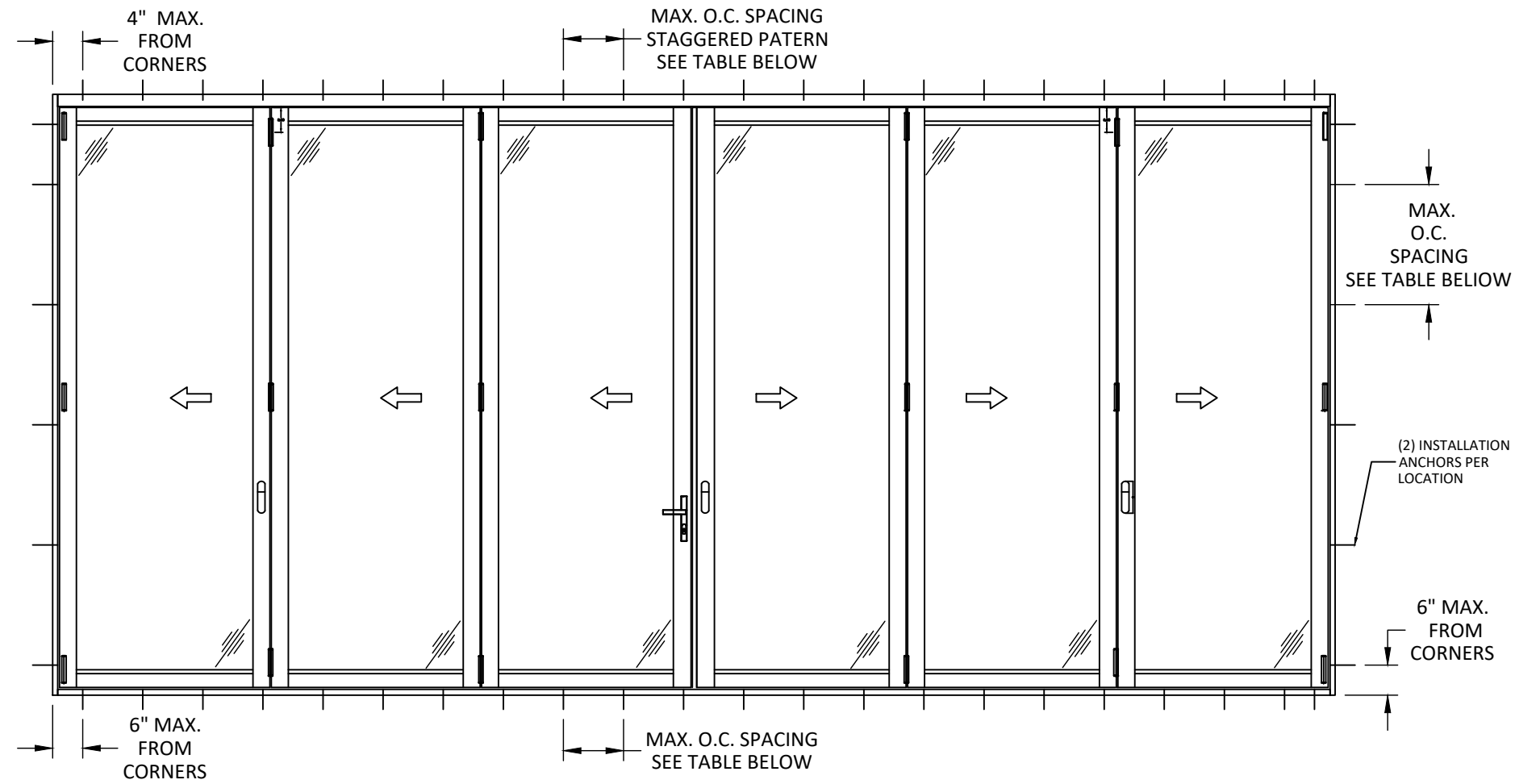
REMARKS	BY	DATE
2023 CODE CHANGE	MG	02/23
COMPANY NAME UPD.	SH	09/23

THE INSTALLATION DETAILS DESCRIBED HEREIN ARE GENERIC AND MAY NOT REFLECT ACTUAL CONDITIONS FOR A SPECIFIC SITE. IF SITE CONDITIONS CAUSE INSTALLATION TO DEVIATE FROM THE REQUIREMENTS DETAILED HEREIN, A LICENSED ENGINEER OR ARCHITECT SHALL PREPARE SITE SPECIFIC DOCUMENTS FOR USE WITH THIS DOCUMENT.



FL #:	FL27023
DATE:	04.06.18
DWG. BY:	HR
CHK. BY:	HFN
SCALE:	NTS
DWG. #:	EWS008

SHEET:
3
OF 6



**ANCHOR LAYOUT
THROUGH FRAME INSTALLATION**

SUBSTRATE	ANCHOR SCHEDULE	MAX. O.C. SPACING AT HEAD	MAX. O.C. SPACING AT SILL	MAX. O.C. SPACING AT JAMBS
WOOD: MIN. SG = 0.55	#14 WOOD SCREW	12"	12"	24"
METAL: 18 GAUGE STEEL, MIN. Fy = 33KSI	1/4" TEK SCREW	11"	11"	18"
CONCRETE: fc=3000PSI	1/4" ITW TAPCON	12"	12"	24"
MASONRY: CMU PER ASTM C90	1/4" ITW TAPCON	9.75"	9.75"	24"

s:\projects\eurowall systems\fb-23-0818 - fbc submittal - fbc submittal - fbc submittal - eww008.dwg 9/29/2023 2:23 PM

s:\projects\euro-wall systems\fbc-23-0818 - fbc submittal - fbc submittal - ew holdings of florida llc name change\dwgs\127023\ews008.dwg
 9/29/2023 2:23 PM

TITLE: EURO C5 OUT FOLDING DOOR SYSTEM (NON-HVHZ) (NON-IMPACT)

VERTICAL SECTIONS

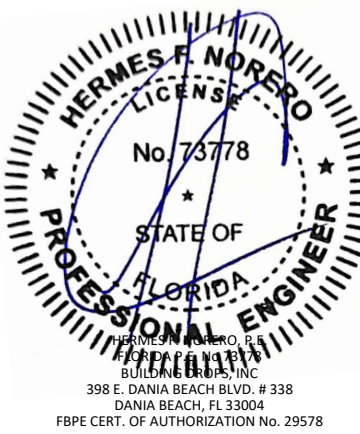
PREPARED BY: BUILDING DROPS, INC.

398 E. DANIA BEACH BLVD., STE. 338
DANIA BEACH, FL 33004
PH: (954)399-8478
FAX: (954)744-4738
WEB: www.buildingdrops.com

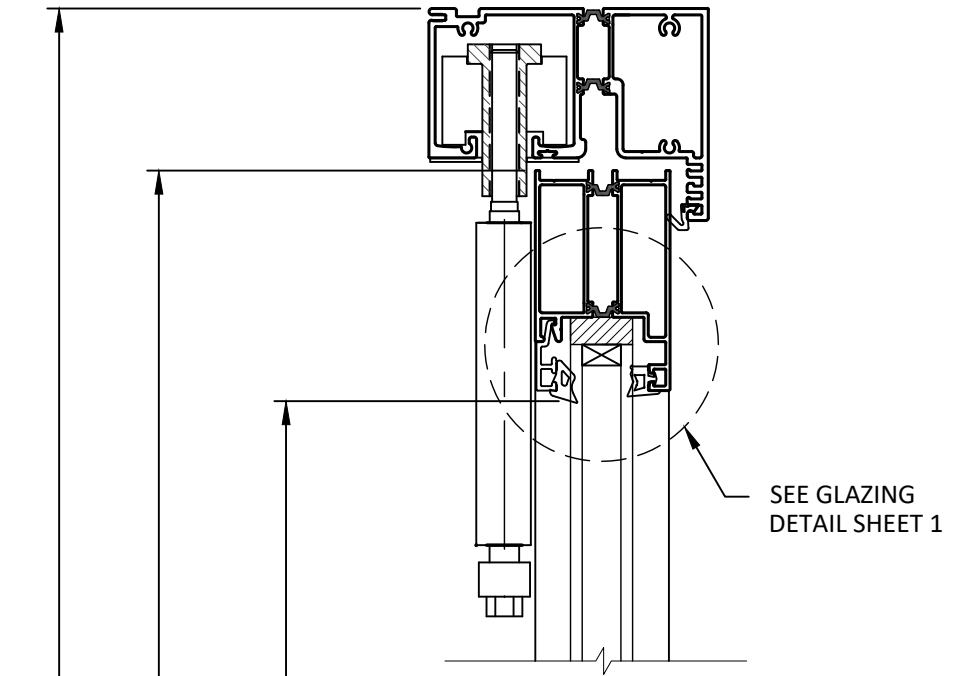


REMARKS	BY	DATE
2023 CODE CHANGE	MG	02/23
COMPANY NAME UPD.	SH	09/23

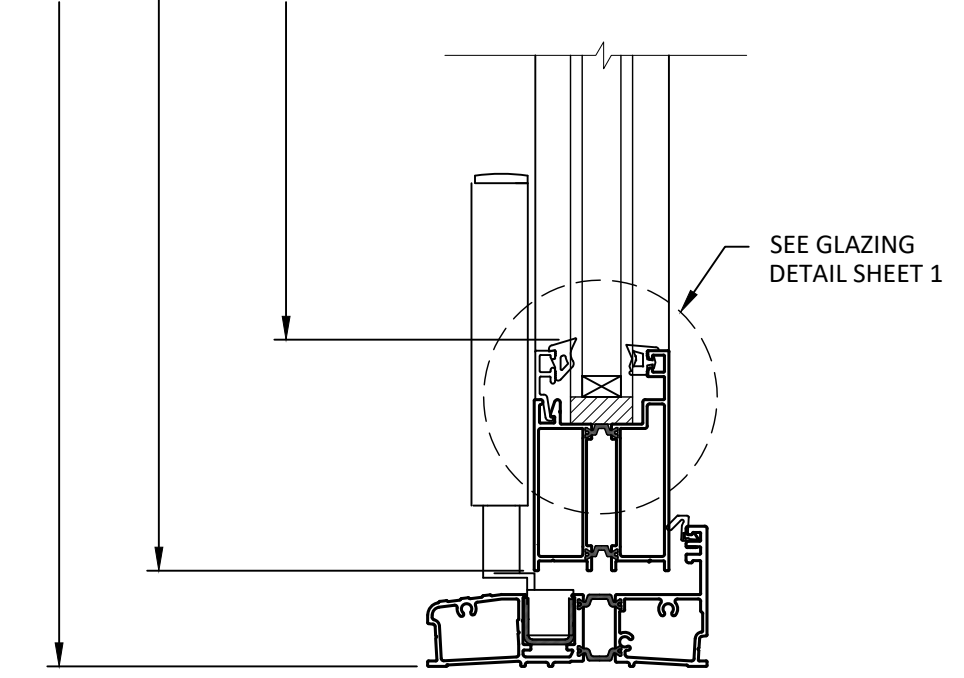
THE INSTALLATION DETAILS DESCRIBED HEREIN ARE GENERIC AND MAY NOT REFLECT ACTUAL CONDITIONS FOR A SPECIFIC SITE. IF SITE CONDITIONS CAUSE INSTALLATION TO DEVIATE FROM THE REQUIREMENTS DETAILED HEREIN, A LICENSED ENGINEER OR ARCHITECT SHALL PREPARE SITE SPECIFIC DOCUMENTS FOR USE WITH THIS DOCUMENT.



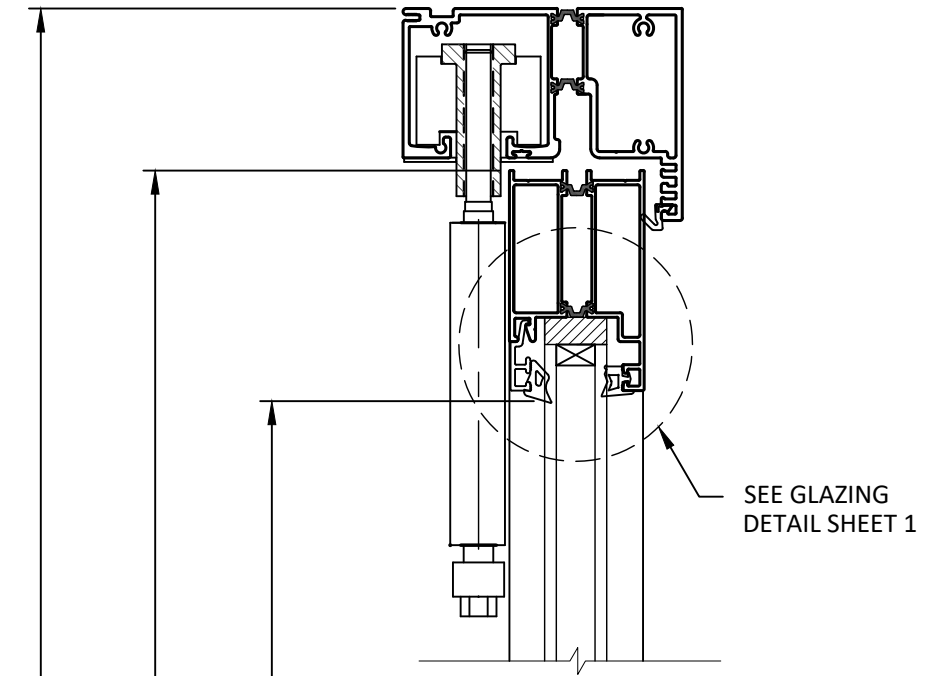
FL #:	FL27023
DATE:	04.06.18
DWG. BY:	HR
CHK. BY:	HFN
SCALE:	NTS
DWG. #:	EWS008
SHEET:	4



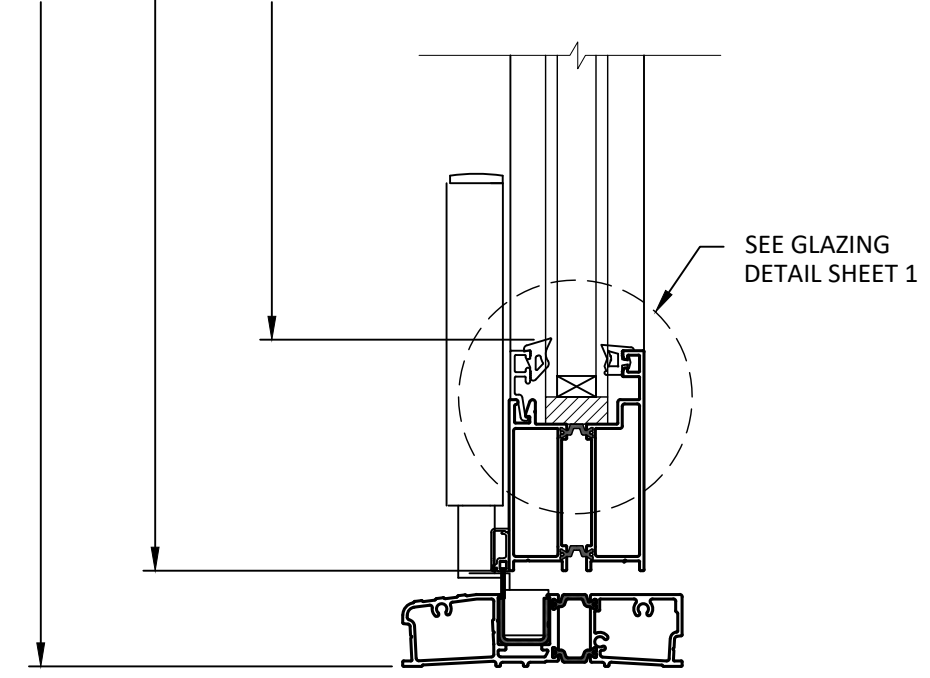
O.A. FRAME HEIGHT
MAX. PANEL HEIGHT
MAX. D.L.O. HEIGHT
EXTERIOR
INTERIOR



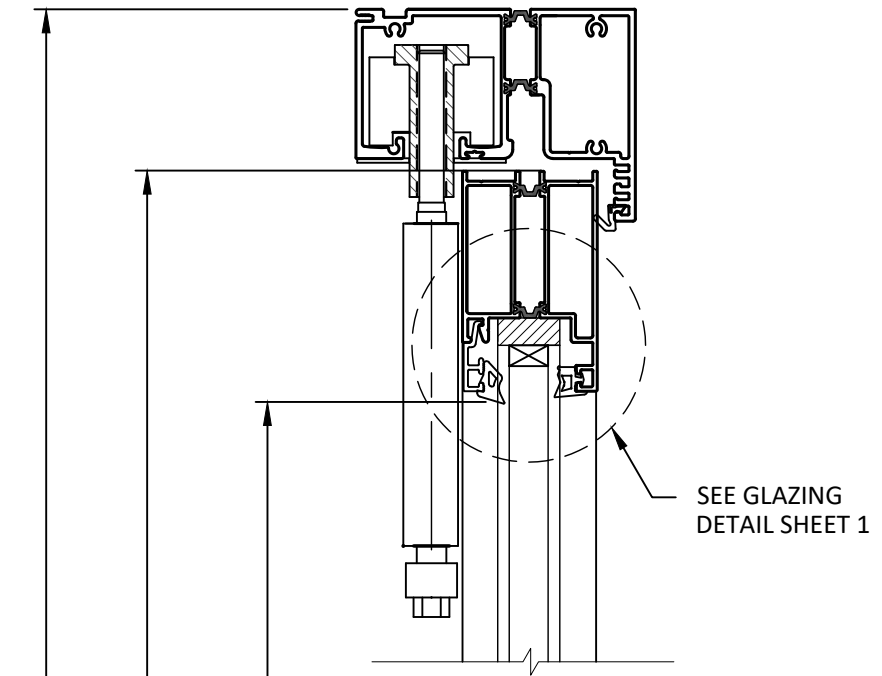
A
4 VERTICAL SECTION
STANDARD SILL - WATER RATED



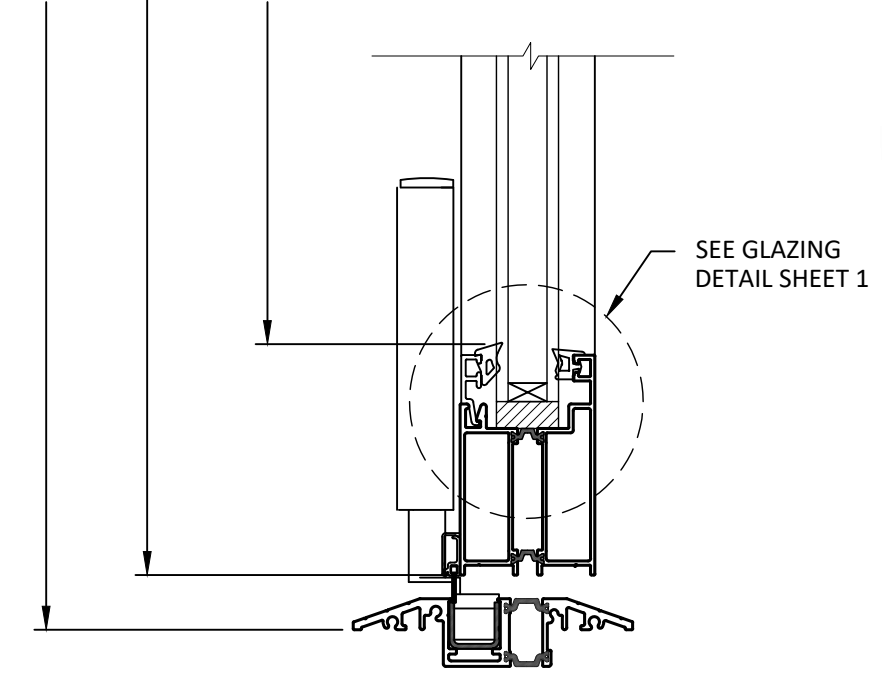
O.A. FRAME HEIGHT
MAX. PANEL HEIGHT
MAX. D.L.O. HEIGHT
EXTERIOR
INTERIOR



B
4 VERTICAL SECTION
MODIFIED STANDARD SILL - NOT RATED FOR WATER



O.A. FRAME HEIGHT
MAX. PANEL HEIGHT
MAX. D.L.O. HEIGHT
EXTERIOR
INTERIOR



C
4 VERTICAL SECTION
ADA SILL - NOT RATED FOR WATER

